

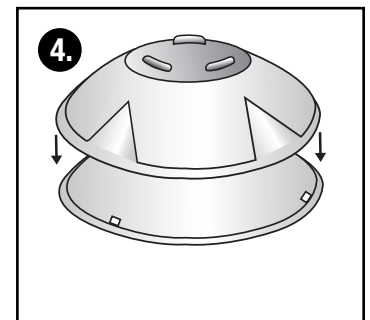
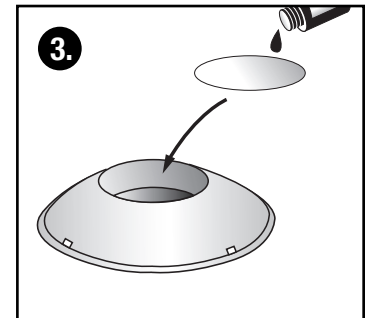
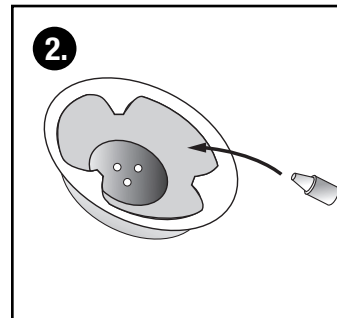
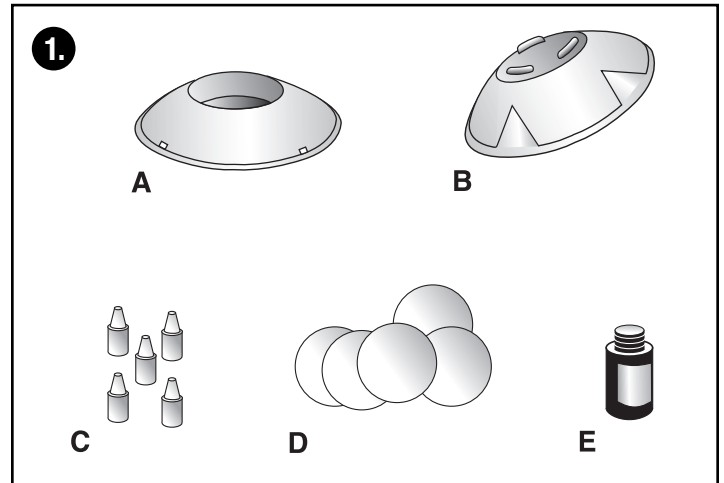
# STORGARD<sup>®</sup> DOME<sup>™</sup> Insect Monitoring Kit Assembly Instructions



For: CB, CFB, RFB, KB, WB and other small beetles

## TRAP ASSEMBLY INSTRUCTIONS

1. Remove components from carton. Each carton includes:
  - A. trap/catch reservoirs (5)
  - B. dome covers (5)
  - C. pheromone lures (5)
  - D. absorbent pads (10)
  - E. oil-based food (kairomone) attractant container (1)
2. Remove one lure from its foil package. Insert the small end of the lure into one of the slots on the dome cover. The lure should be inserted with large end pointing down over the catch reservoir.  
**Warning:** Do not dispose of lure foil wrapping or used lures within the storage facility.
3. Place an absorbent pad in the bottom of the catch reservoir. (Five additional pads are included for use when renewing the oil bait bi-weekly.) Saturate (avoid excess) the pad with oil from the oil-filled container. The kit contains enough oil to recharge each trap four times. Do not discard used oil containers within storage facility.  
**Note:** Make sure to keep oil off the sides of the catch reservoir. Wipe off any oil before continuing.
4. Align projections on dome cover with indents on base and snap the two parts together. When handling trap, grasp the indents in the cover lightly with your fingers. Trap is now ready for placement.



*Please see Trécé's IPM Partner<sup>®</sup> Guidelines for further instructions.*

**OUR EDGE & YOURS, IS KNOWLEDGE**

TRÉCÉ, INC. P.O. BOX 129 ADAIR, OK 74330 918-785-3061 FAX: 918-785-3063

TRÉCÉ<sup>®</sup>, Pherocon<sup>®</sup>, STORGARD<sup>®</sup> and CIDETRAK are registered Trademarks of TRÉCÉ Inc., Adair, OK USA  
© 2005 TRÉCÉ, Adair, OK USA



INSECT MONITORING SYSTEMS & PHEROMONES

[www.trece.com](http://www.trece.com)