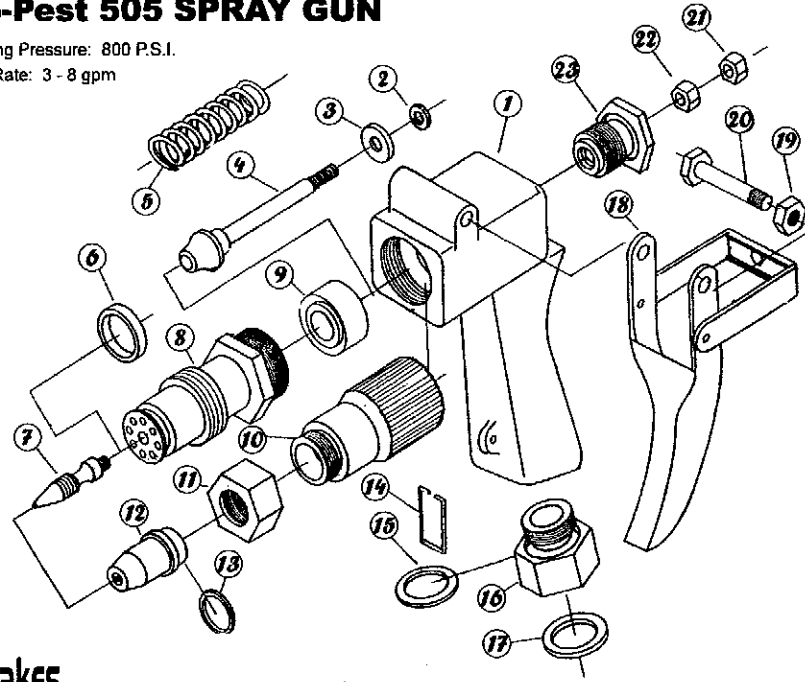


Pro-Pest 505 SPRAY GUN

Working Pressure: 800 P.S.I.

Flow Rate: 3 - 8 gpm



JFOakes LLC ideas. technology. resources. | Tel: 662.746.7276 | Fax: 662.746.4568 | sales@foakes.com | www.jfoakes.com

Pro-Pest® 505 (800 PSI) Spray Gun Parts List

No.	Parts Name	Qty	Raw Material
1	Housing	1 pc	Aluminum
2	O Ring	1 pc	Rubber
3	Gasket	1 pc	Rubber
4	Valve Shaft	1 pc	Stainless Steel
5	Spring	1 pc	Stainless Steel
6	O Ring	1 pc	Rubber
7	Whirler	1 pc	Brass
8	Adjuster Body	1 pc	Brass
9	Teflon Seat	1 pc	Teflon
10	Nozzle Barrel	1 pc	Brass
11	Nozzle Nut	1 pc	Brass
12	Nozzle	1 pc	Brass
13	O Ring Nozzle	1 pc	Rubber
14	Fixed Ring	1 pc	Steel
15	Gasket	1 pc	Rubber
16	Coupling 3/4" GH	1 pc	Brass
17	Gasket GH	1 pc	Rubber
18	Trigger Lever & Bracket	1 pc	Steel
19	Clamp Washer	1 pc	Stainless Steel
20	Trigger Fixed Bolt	1 pc	Stainless Steel
21	Nut	1 pc	Stainless Steel
22	Nut	1 pc	Stainless Steel
23	Plug Nut - Gland	1 pc	Brass
	#2 Nozzle 2mm - 2-5 GPM		
	#4 Nozzle 2.5mm - 3-8 GPM		
	#6 Nozzle 4mm - 10-19 GPM		