



PCO Professional Sprayer Instruction Manual

Airo Pro 1.5 Gallon Sprayer 501-505-180

Airo Pro 1 Gallon Sprayer 501-504-210

Airo Pro .5 Gallon Sprayer 501-502-180

***included with sprayers CC tip, rebuild kits
and two straps***

optional accessories sold separately

Care and Maintenance

A) After using:

- empty the tank and drain the hose and lance after each use
- carefully inspect all gaskets and hoses as well as all other fittings of wear and tear, replace when necessary.

B) Cleaning the sprayer

- rinse the tank thoroughly with water
- add water and detergent into the tank
- attach pump cap and tighten it
- shake to clean the tank
- pressurize the tank
- flush the hose and nozzle
- empty the tank and refill with clean water
- flush the hose and trigger valve once more
- empty the remaining water
- the sprayer should be cleaned thoroughly at least once a week

C) Cleaning clogged nozzle and extension straw

- do not insert metal objects into the tip orifices
- clean with a soft bristle brush such as a tooth-brush to free clogs
- cleaning detergents or solvents can be used to soak the tip (do not use ammonia – it can corrode brass)
- do not insert metal object into the straw which will be greatly damaged to the point of not functioning at all
- run warm water over and into the extension straw
- soak the nozzle and extension straw in warm, soapy water
- blow compressed air through back of nozzle and extension straw

D) Maintenance of pump and trigger valve

- piston o-ring (1.7) or cup, trigger valve o-ring (9.13/1) should be oiled from time to time
- check valve at the bottom of the pump cylinder prevents liquid from entering the pump, if liquid leaks into the pump, the valve should be inspected or replaced
- if liquid leaks out of the trigger valve or any connection, the valve seal/gasket or the connection should be inspected or replaced

Specification

	1/2 Gallon	1 Gallon	1.1/2 Gallon
Working Capacity	1/2 Gal. (2L)	1 Gal. (4L)	1.1/2 Gal. (5L)
Tank Volume	4/5 Gal., 3L	1.1/2 Gal., 5L	1.4/5 Gal., 6.85L
Tank Material	AISI 304		
Max. Working Pressure	6 bar, 90 psi		
Filling Mouth	Ø2.3/4 inch (Ø70mm)		
Pressure Relief Valve	operates at 4 bar, 60 psi		
Pressure Gauge	0-7 bar, 0-100 psi		
Pump Handle	brass, D-type		
Pump Cylinder	AISI 304 with Viton™ check-valve	AISI 304 with spring-loaded Viton™ seat non-return valve	
Spray Hose	48 in (120 cm)		
Trigger Valve	brass, drip-free (DFC) type with lock-on & lock-off features		
Spray Lance	AISI 304, 8" (20cm) or 18" (46cm)		
Nozzle	4-way multi-nozzle with crack & crevice extension straw		
Carrying Strap	single shoulder strap	double shoulder strap	
Service Kit	supplied as standard: pump kit, trigger valve kit, seal/gasket kit		
Tank Dimensions	Ø6.7 x H7.3 in (Ø17 x H18.5 cm)	Ø6.7 x H11.2 in (Ø17 x H28.5 cm)	Ø6.7 x H14.2 in (Ø17 H36 cm)
Total Height	10.6 in (27 cm)	14.6 in (37 cm)	17.5 in (44.5 cm)
Net Weight	5.72 pound (2.6 kg)	6.82 pound (3.1 kg)	8.14 pound (3.7 kg)

※ Specifications subject to change without notice or obligation.

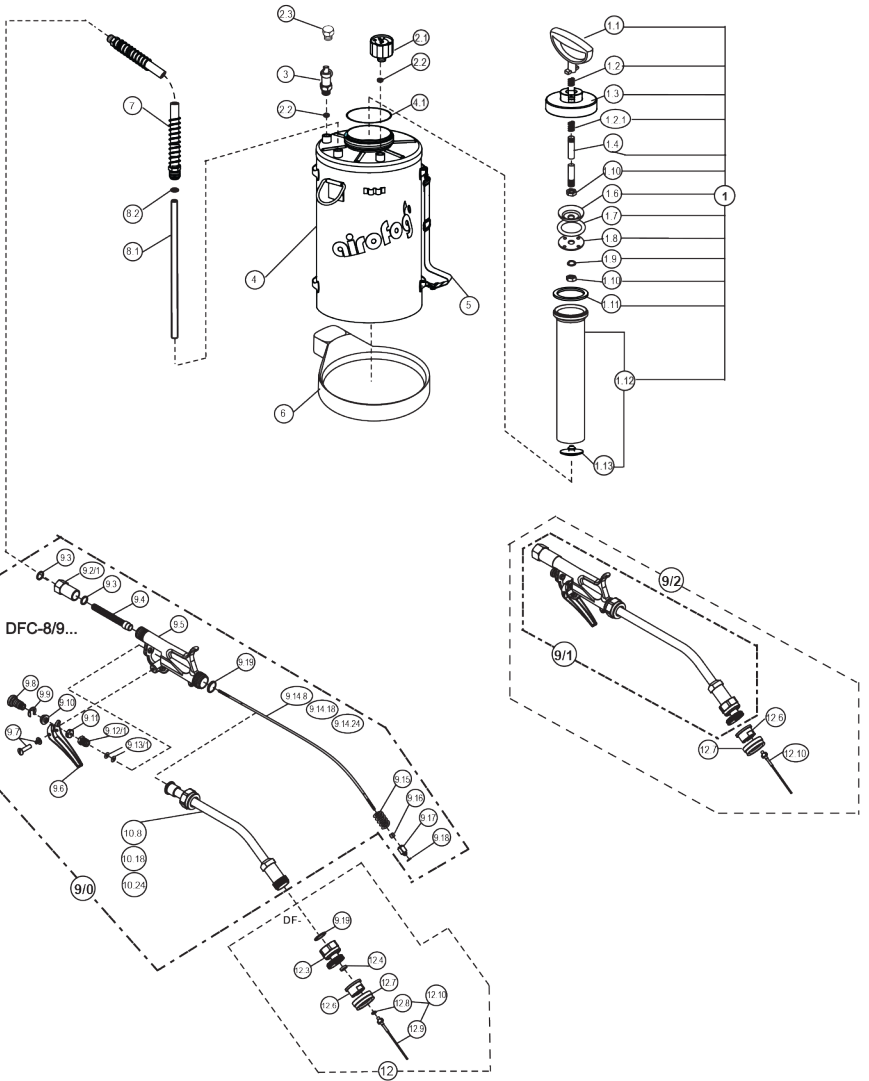
Trademarks appearing within are the property of Airofog Machinery Co., Ltd.

Other trademarks are the property of their respective owners.

Each Airo Pro Compression Sprayer Includes

- 1 Pump Cylinder Repair Kit
- 1 Valve Assembly Repair Kit
- 2 Carry Straps (0.5 Gallon only 1)
- 9", 18", or 24" Wand
- C&C Tip with Screw in C&C Straw
- Pressure Gauge
- Pressure Relief Valve

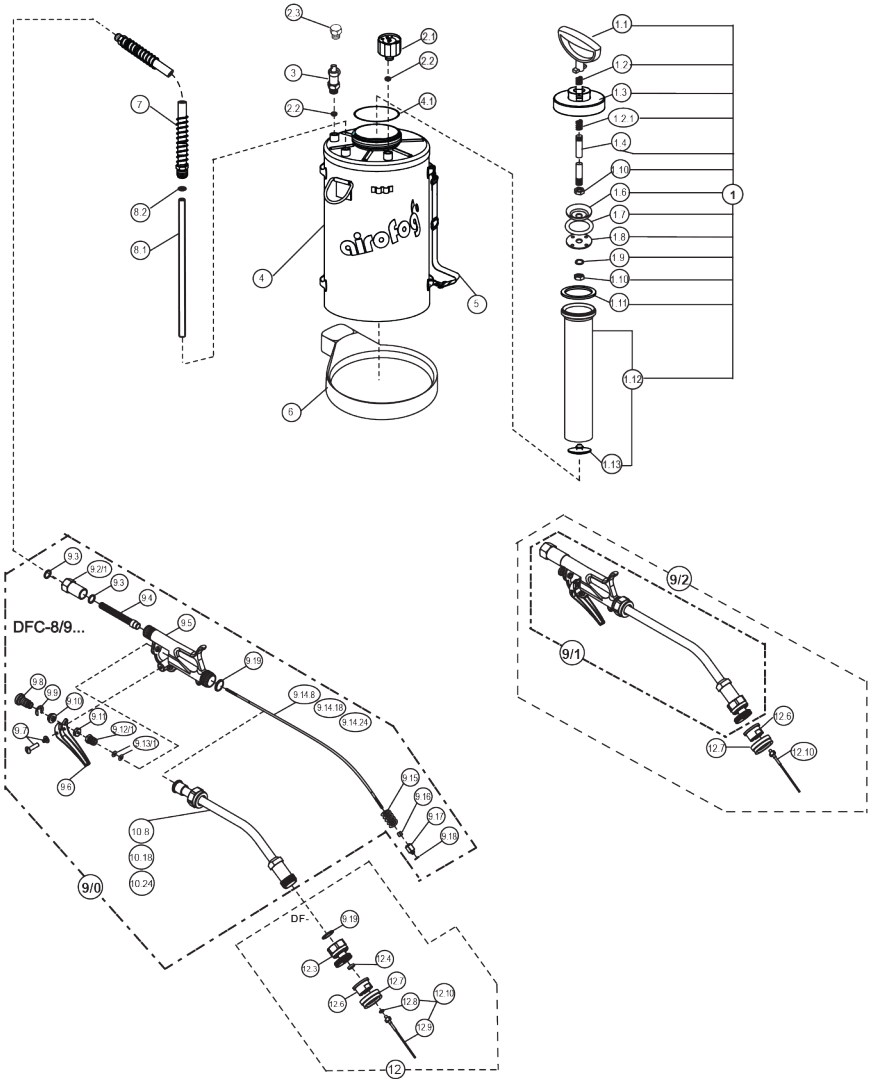
Airo Pro Compression Sprayers 0.5 gal/ 1 gal/ 1.5 Gal



AiroPro Sprayer Spare Part List

Pos.	Part No.	Description
1	505-001-410	Pump Assembly, 1 1/2 Gallon
1	504-001-410	Pump Assembly, 1 Gallon
1	502-001-410	Pump Assembly, 1/2 Gallon
1.1	501-001-010	Handle, Pump
1.2	505-001-020	Spring, Pump Lock
1.2.1	505-001-021	Spring
1.3	501-001-030	Cap, Pump
1.4	505-001-440	Rod, Pump
1.4	504-001-440	Rod, Pump
1.4	502-001-440	Rod, Pump
1.6	505-001-060	Plate, Cup Spreader
1.7	505-001-070	O-ring
1.8	505-001-080	Plate, Back
1.9	505-001-090	Washer, Lock
1.1	501-001-100	Nut, Plunger
1.11	501-001-110	Gasket, Pump
1.12	505-001-420	Pump Cylinder, 1 1/2 Gallon
1.12	504-001-420	Pump cylinder, 1 Gallon
1.12	502-001-420	Pump Cylinder, 1/2 Gallon
1.13	502-001-130	Valve, Check
2.1	501-002-000	Gauge, 0-60 psi
2.2	505-002-020	Washer
3	501-003-000	Pressure Relief Valve
4	505-004-410	Tank, 1 1/2 Gallon
4	504-004-410	Tank, 1 Gallon
4	502-004-410	Tank, 1/2 Gallon
4.1	604-016-010	O-Ring
5	505-005-000	Adjustable Carrying Strap
6	505-006-010	Bottom, Blue
7	501-007-620	Hose, 4 Foot Blue
8	505-008-400	Tube, Syphon 1 1/2 Gallon
8	504-008-400	Tube, Syphon 1 Gallon
8	502-008-400	Tube, Syphon 1/2 Gallon
DFC-8	501-000-080	DFC Valve Assembly, 8"
DFC-18	501-000-180	DFC Valve Assembly, 18"
DFC-24	501-000-240	DFC Valve Assembly, 24"
DF9.2/1	501-009-020	Housing, Strainer
DF9.3	500-009-030	Gasket, Nylon
DF9.4	500-009-040	Strainer

Airo Pro Compression Sprayers 0.5 gal/ 1 gal/ 1.5 gal



AiroPro Sprayer Spare Part List

Pos.	Part No.	Description
DF9.5	500-009-050	Body, Valve
DF9.6	500-009-060	Trigger, Valve
DF9.7	500-009-070	Screw, Trigger
DF9.8	500-009-080	Nut, Safety lock
DF9.9	500-009-090	Ring, Snap
DF9.10	500-009-100	Screw, Adjust
DF9.11	500-009-110	Nut, Lock
DF9.12/1	500-009-121	Nut, Packing (on request)
DF9.13/1	500-009-131	O-Ring, x 2
DF9.14.8	500-009-141	Cable, Valve 8 inch
DF9.14.18	500-009-143	Cable, Valve 18 inch
DF9.14.24	500-009-144	Cable, Valve 24 inch
DF9.15	500-009-150	Spring, Seat Stem
DF9.16	500-009-160	Nut, Seat Stem
DF9.17	500-009-170	Stem, Seat
DF9.18	500-009-180	O-ring, Viton
DF9.19	505-009-150	Gasket
DF10.8	500-010-080	Extension, Valve 8 inch
DF10.18	500-010-180	Extension, Valve 18 inch
DF10.24	500-010-240	Extension, Valve 24 inch
DF12	500-012-000	Multi-Nozzle, Assembly
DF12.3	500-012-030	Holder, Multi-Nozzle C&C Tip
DF12.4	500-012-040	Gasket, VitonR
DF12.6	500-012-060	Tip, Multi-Nozzle C&C Tip
DF12.7	500-012-070	Retainer, Tip
DF12.8	935-018-000	O-Ring
DF12.9	500-012-090	Extension Straw
DF12.10	500-012-100	Extension Straw with O-Ring
9/2	501-000-082	Trigger valve Cpl. 8"
9/2	501-000-182	Trigger valve Cpl. 18"
9/2	501-000-242	Trigger valve Cpl. 24"
9/2	501-000-362	Trigger valve Cpl. 36"
9/1	501-000-081	Trigger valve assembly 8"
9/1	501-000-181	Trigger valve assembly 18"
9/1	501-000-241	Trigger valve assembly 24"
9/1	501-000-361	Trigger valve assembly 36"
DF12.6	500-012-060	Tip, Multi-Nozzle C&C Tip
DF12.7	500-012-070	Retainer, Tip
DF12.10	500-012-100	Extension Straw with O-Ring
	501-015-000	Pump / Tank Service Kit
	501-016-030	DF/Nozzle Service Kit

AIROFOG USA

15074 Aviation Loop Drive

Brooksville, FL 34604

USA

Tel: +1-352-593-5152

www.airofogusa.com

