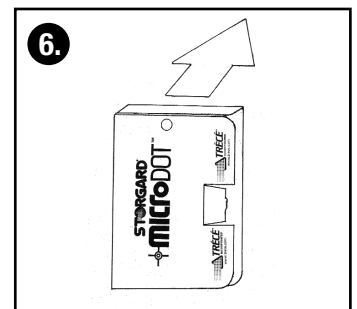
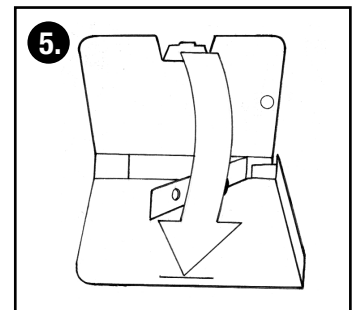
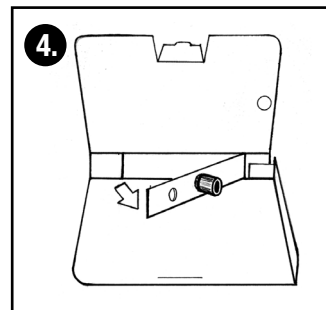
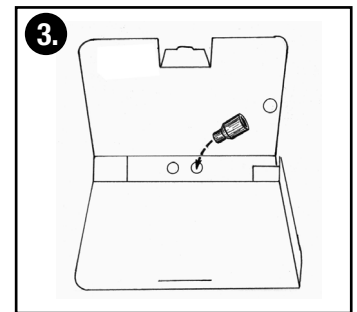
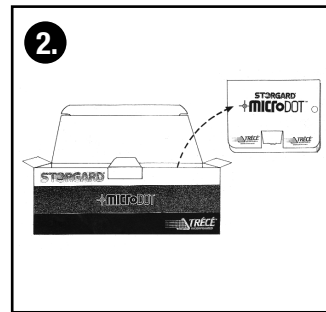
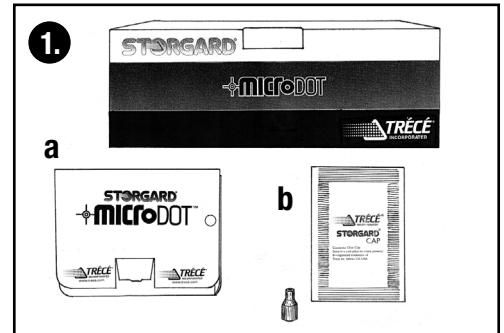


Insect Monitoring Kit Assembly Instructions

For: IMM+4, CB AND COMBI[™]

TRAP ASSEMBLY INSTRUCTIONS

1. Each carton includes:
 - a. traps (10)
 - b. pheromone lures (10)
2. Remove preassembled, glued trap from kit box. The trap will be book-shaped.
3. Place pheromone lure in the hole in the back of the trap (described as "Insert Lure") by inserting the small end of the lure(s).
4. Fold tab with lure inserted into the trap until it comes in contact with adhesive surface.
5. Fold trap cover to a closed position and bend center tab at score line to a 45° angle; then insert the tab into the slot on bottom of the trap.
6. Attach trap to the wall with Velcro wall hanger, or on a nail, or just place on any flat surface.



Please see Trécé's IPM Partner[®] Guidelines for further instructions.

OUR EDGE & YOURS, IS KNOWLEDGE

TRÉCÉ, INC. P.O. BOX 129 ADAIR, OK 74330 918-785-3061 FAX: 918-785-3063

TRÉCÉ[®], Pherocon[®], STORGARD[®] and CIDETRAK are registered Trademarks of TRÉCÉ Inc., Adair, OK USA
© 2005 TRÉCÉ, Adair, OK USA



TRÉCÉ[®]
INCORPORATED

INSECT MONITORING SYSTEMS & PHEROMONES

www.trece.com