



600-000-110

- Carrying Pouch
- Multiple tips
- Repair kit
- Adjustment wheel regulates output of gel

***Gel Gun
Manual***

Safety & Maintenance

Airofog USA Gel Gun is designed utilizing the theory of negative pressure. Gel bait is sucked through the gun instead of the more traditional pushing method using a plunger. This ensures an accurate amount of bait set every time. By adjusting the wheel regulator, 5 different doses can be selected to meet a variety of demand. Adapts to most 30g/ 35g gel cartridges.

Safety Instruction

- Keep out reach of children
- Never insert the metal tip/ needle into electrical outlets
- Never touch exposed wires with the guns metal surfaces, especially during lightning
- Always follow the manufacturer's instructions for gel cartridges
- Always replace damaged, or malfunctioning parts

Care and maintenance

- Always leave gel cartridge in gel gun to prevent drying of gel and blockages
- As long as the gel does not dry up maintenance is not necessary
- All parts of the gun can be soaked and washed with warm water and detergent
- When there is an air bubble in the gel cartridge no gel may come out of the tip When this occurs, push forward the plunger from the base. The air bubble will be driven out and regular flow will continue

Airofog Guarantee

Airofog USA guarantees the Airofog USA Gel Gun to be free of defects in materials and workmanship to the original purchaser for a period of one(1) year on labor and parts which are not subject to usual wear During this period, AIROFOG USA will replace and/or repair the parts and manufacturer faults on the exclusive judgment of our technical department free of charge

Shipping and dispatch of defect equipment will be at original purchaser's expense

Guarantee does not cover damages occurred during transport or by incorrect handling, tampering, use, or the use of non-recommended products and so on.

Under no circumstances will AIROFOG USA be liable for damages due to improper use or application.

Under no circumstances will AIROFOG USA be responsible for damages to any persons or property.



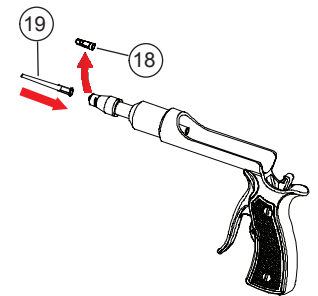
Airofog USA
15074 Aviation Loop Drive
Brooksville, FL 34604
USA

+1-352-593-5152
airofog@airofogusa.com
www.airofogusa.com

Operation Instructions

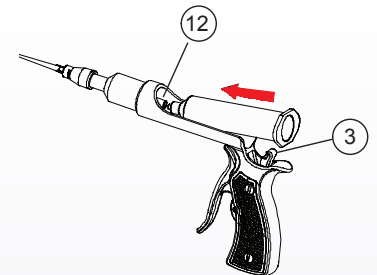
Operation

1. Unscrew the cap (18) and insert the stainless steel or plastic needle (19)
2. Remove the tip cover of gel cartridge then insert cartridge into the gun compartment by pushing it against the piston (12) until the base of the cartridge is seated properly on top of the hook of the trigger
3. Adjust the regulator (4) to position 5. Push the gel bait plunger gently from the base of the cartridge to drive the gel to the outlet, then pull the trigger repeatedly until the gel comes out.
4. Now the gun is ready for application
5. Dial the regulator 1-5 for desired dose



After Use

1. Take off needle (19) from the gun and reinstall the cap (18) to prevent the gel from drying at the output
2. Dial the regulator to "0" position to avoid the trigger being pressed on accident
3. Leave gel cartridge in the gun so the gel does not dry and clog gun parts
4. Clean used needles with the provided cleaning rods
5. Put all gun parts back into the gun's carry pouch

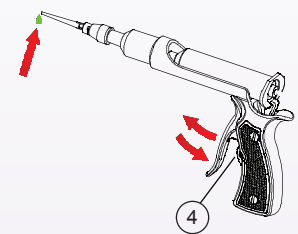


Attention



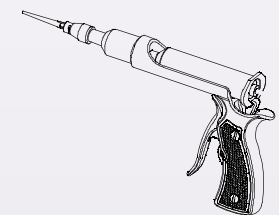
Dosage performance varies depending on viscosity and density of the gel used. Airofog Gel Gun provides two types of wheel regulators: Smaller dose (red) and a bigger dose (black) which is marked "B" on the wheel

Airofog gel gun is only for gel bait, not for application of high viscosity pastes



Dosage Reference

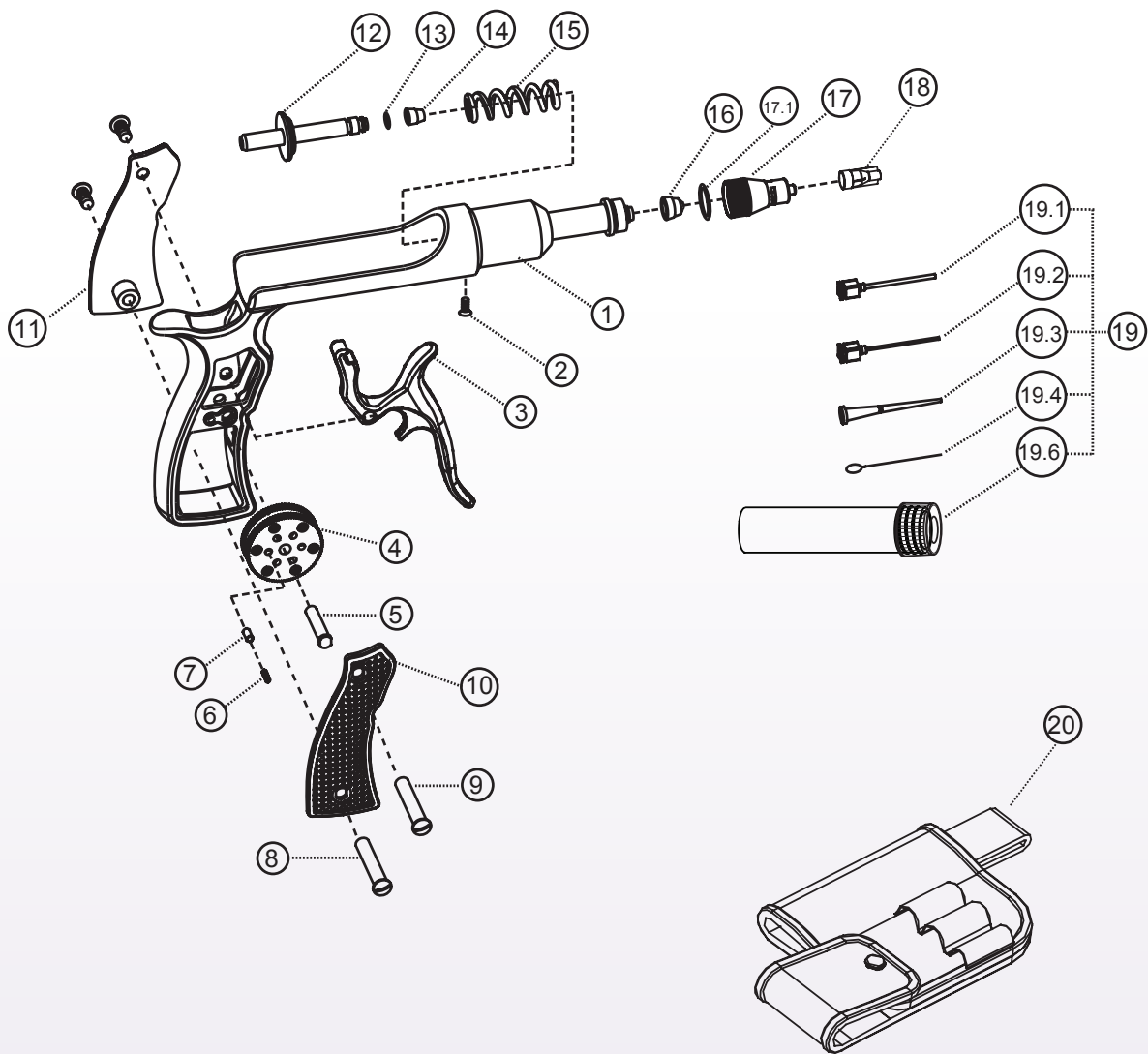
Dial #	Black(Large)
1	.05g
2	.1g
3	.15g
4	.17g
5	.19g



Airofog USA
15074 Aviation Loop Drive
Brooksville, FL 34604
USA

+1-352-593-5152
airofog@airofogusa.com
www.airofogusa.com

Gel Gun Assembly



Airofog USA
15074 Aviation Loop Drive
Brooksville, FL 34604
USA

+1-352-593-5152
airofog@airofogusa.com
www.airofogusa.com

Gel Gun Parts List

Pos.	Part no.	Description
1	600-001-000	Gun body
2	260-051-000	Countersunk screw M3x8
3	600-003-000	Trigger
4	600-004-020	Regulator (black;big)
5	600-005-000	Regulator bolt
6	600-006-000	Spring
7	600-007-000	Spring seat
8	500-009-070	Cover bolt
9	600-009-000	Cover bolt
10	600-010-010	Handle cup right (black)
11	600-011-010	Handle cup left (black)
12	600-012-000	Piston
13	500-009-180	O-ring
14	600-014-000	Inlet check valve
15	600-015-000	Position spring
16	600-016-000	Outlet check valve

Service kits

600-028-000	Service kit (13,14,16,17.1)
-------------	--------------------------------

Pos.	Part no.	Description
17	600-017-000	Safety lock adapter
17.1	600-017-010	O-ring
18	600-018-000	Closure
19	600-019-000	Tip kit (19.1-19.6)
19.1	600-019-010	S.S. tip 1.5
	600-019-150	S.S. tip1.5x150mm (optional)
19.2	600-019-020	S.S. tip 1.8
19.3	600-019-030	Plastic tip
19.4	600-019-040	Cleaning rod
	600-019-041	Cleaning rid 150mm (optional)
19.6	602-007-010	Vial with cap
20	600-024-000	Carrying case



Airofog USA
15074 Aviation Loop Drive
Brooksville, FL 34604
USA

+1-352-593-5152
airofog@airofogusa.com
www.airofogusa.com