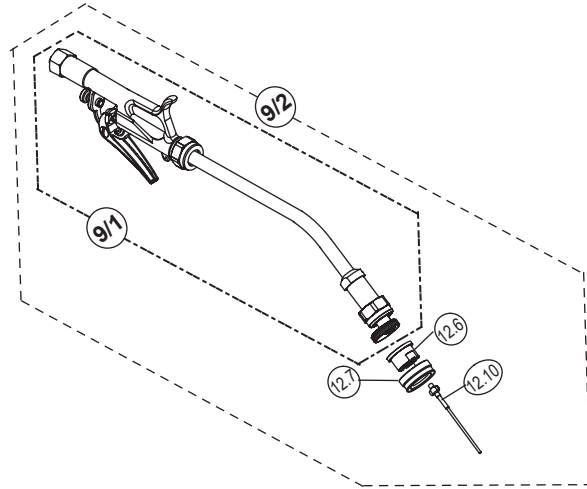
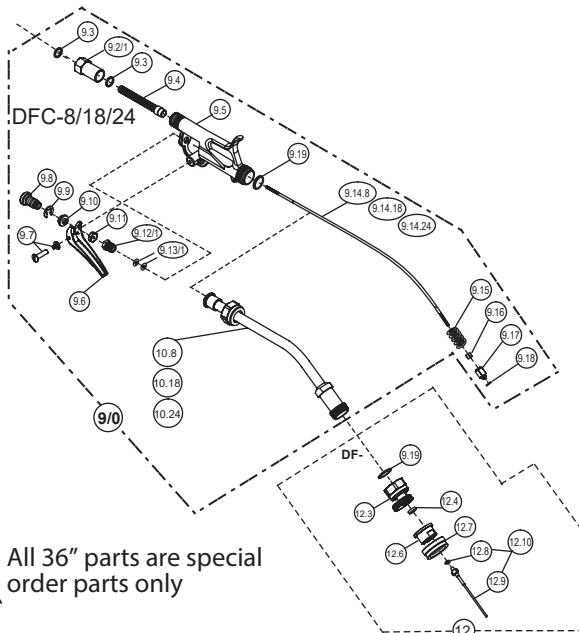



Airopro Sprayer Trigger Diagram



 All 36" parts are special order parts only

Pos.	Part no.	Description
DFC8	501-000-080	DFC valve assembly, 9"
DFC18	501-000-180	DFC valve assembly, 18"
DFC24	501-000-240	DFC valve assembly, 24"
9.1/2	501-009-020	Strainer housing
9.3	500-009-030	Nylon gasket
9.4	500-009-040	Strainer
9.5	500-009-050	Valve body
9.6	500-009-060	Valve trigger
9.7	500-009-070	Trigger screw
9.8	500-009-080	Safety lock nut
9.9	500-009-090	Snap ring
9.10	500-009-100	Adjustment screw
9.11	500-009-110	Lock nut
9.12/1	500-900-121	Packing nut (optional)
9.13/1	500-009-131	O-ring x2
9.14.8	500-009-141	Valve cable, 9"
9.14.18	500-009-143	Valve cable, 18"
9.14.24	500-009-144	Valve cable, 24"

Pos.	Part no.	Description
9.15	500-009-150	Seat stem spring
9.16	500-009-160	Seat stem nut
9.17	500-009-170	Seat stem
9.18	500-009-180	Viton o-ring
9.19	505-009-150	Gasket
10.8	500-010-080	Valve extension, 9"
10.18	500-010-240	Valve extension, 18"
10.24	500-012-000	Valve extension, 24"
12	500-012-000	Multi nozzle assembly
12.3	500-012-030	Multi nozzle c&c tip holder
12.4	500-012-040	VitonR gasket
12.6	500-012-060	Multi nozzle c&c tip
12.7	500-012-070	Tip retainer
12.8	935-018-000	O-ring
12.9	500-012-090	Extension straw
12.10	500-012-100	Extension straw with o-ring
9/2	501-000-082	Trigger valve cpl. 9"
	501-000-182	Trigger valve cpl. 18"
	501-000-242	Trigger valve cpl. 24"
	501-000-362	Trigger valve cpl. 36"
9/1	501-000-081	Trigger valve assembly, 9"
	501-000-181	Trigger valve assembly, 18"
	501-000-241	Trigger valve assembly, 24"
	501-000-361	Trigger valve assembly, 36"

Service kit

501-000-000
Airofog USA Complete Repair Kit



Airofog USA
15074 Aviation Loop Drive
Brooksville, FL 34604
USA

+1-352-593-5152
airofog@airofogusa.com
www.airofogusa.com