

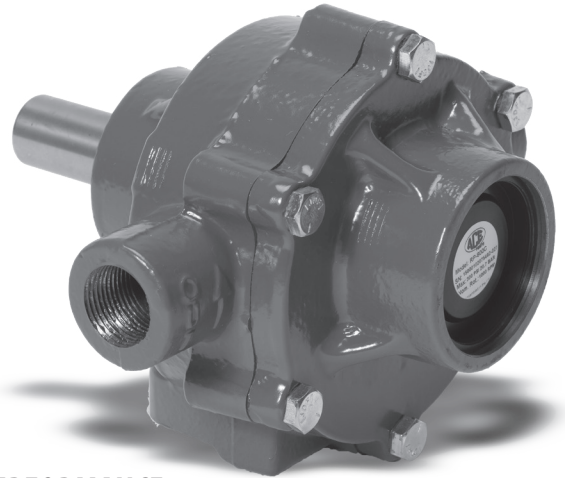


RP-800 Series 8 Roller Pump

Ace Roller Pumps are ideal for a large range of spraying, cleaning and transfer applications.

Benefits of these pumps include:

- A compact, low cost design
- Mount directly to common tractor PTO shafts with optional PTO coupler.
- Available counter clockwise standard rotation or "-R" reverse rotation clockwise models



SPECIFICATIONS

Pump Specifications

Ports	3/4" x 3/4" NPT
Max. Flow	22.5 GPM (85.2 LPM)
Max. Pressure	300 PSI (20.7 BAR)
Rotation	Counter clockwise from shaft end
Speed	540 - 1000 RPM
Construction	Cast Iron
Seal	FKM Lip Type
Shaft	15/16" Stainless Steel
Bearings	Sealed for long life
Rotor	Cast Iron
Rollers	Thermoplastic with metal core
Fluid Temperature	Maximum 140°F (60°C)

Available Models

RP-800C
RP-800C-R

PERFORMANCE

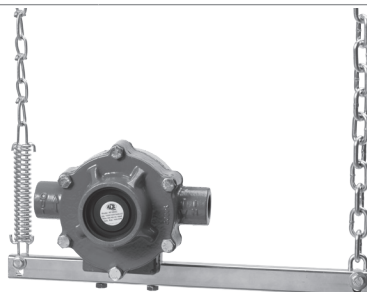
Imperial	540 RPM		800 RPM		1000 RPM	
	PSI	GPM	HP	GPM	HP	GPM
0	12.0	0.33	18.3	0.89	22.5	1.56
50	11.1	0.74	17.5	1.26	22.0	1.78
100	10.3	1.25	16.9	1.95	21.3	2.53
150	9.5	1.77	16.1	2.65	20.6	3.50
200	8.6	2.26	15.5	3.40	20.0	4.20
250	7.8	2.78	14.5	4.20	18.9	5.30
300	7.1	3.30	13.7	5.30	18.0	6.10

Metric	540 RPM		800 RPM		1000 RPM	
	BAR	LPM	HP	LPM	HP	LPM
0	45.4	0.33	69.3	0.89	85.2	1.56
3.4	42.0	0.74	66.2	1.26	83.3	1.78
6.9	39.0	1.25	64.0	1.95	80.6	2.53
10.3	36.0	1.77	60.9	2.65	78.0	3.50
13.8	32.5	2.26	58.7	3.40	75.7	4.20
17.2	29.5	2.78	54.9	4.20	71.5	5.30
20.7	26.9	3.30	51.9	5.30	68.1	6.10

ACCESSORIES

TORQUE BAR KIT

Part #	RP-TBK
EDP #	15100
Description	Torque bar kit for 6 and 8 roller models



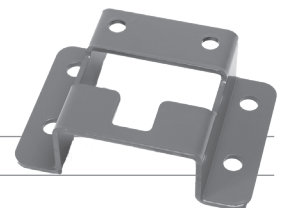
PTO COUPLER

Part #	BAC-10-RP8-QC
EDP #	14830
Description	Multispeed die cast coupler for 15/16" keyed shaft



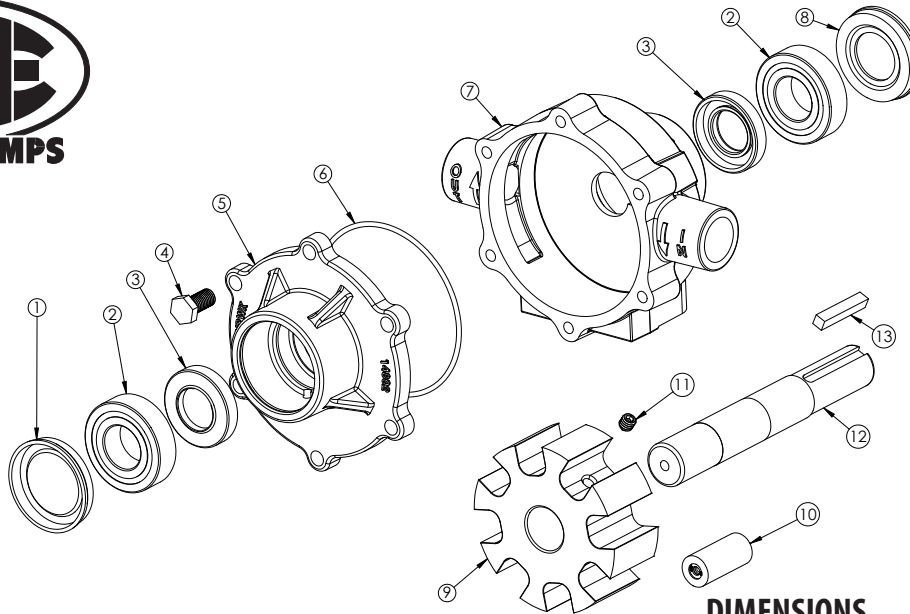
BASE PLATE

Part #	RP-BP8
EDP #	15200
Description	Base plate for gas engine mounting of RP-800C-R models





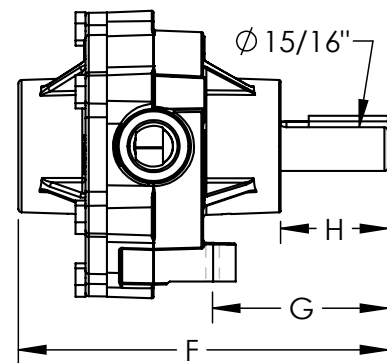
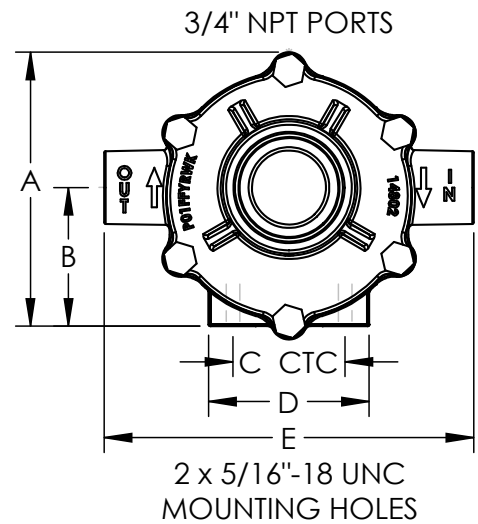
RP-800 Series



PARTS LIST

REF. #	PART NUMBER	EDP #	DESCRIPTION	REQ.
1	14813	14813	Dust cap, cover	1
2	14809	14809	Bearing, sealed	2
3①	14808	14808	Seal, FKM	2
4	GE-60	42230	Cap screw, 5/16" NF x 3/4"	6
5	14802	14802	End plate, cast iron	1
6①	14811	14811	O-ring, body seal	1
7	14801	14801	Body, cast iron	1
8	14814	14814	Dust cap, body	1
9	14803	14803	Rotor, cast iron, includes item 11	1
10①	14804	14804	Roller	8
11	BAC-57	41180	Set screw	1
12	14810	14810	Shaft, SS	1
13	14879	14879	Key, 1/4" x 1/4" x 1-1/2"	1
①	RK-RP-800	14950	Repair kit, universal, includes items 3 (qty. 2), 6, and 10 (qty. 8)	-

DIMENSIONS



Ref.	A	B	C	D	E	F	G	H
Inches	5.19	2.63	2.12	3.04	7.00	7.00	3.32	2.03
MM	131.8	66.8	53.8	77.2	177.8	177.8	84.3	51.6

Ace Pump Corporation • 1650 Channel Avenue • Memphis, TN 38113
 www.AcePumps.com • Phone: 901-948-8514 • Fax: 901-774-6147

3D Model Available
<https://www.3DContentCentral.com/parts/supplier/Ace-Pumps.aspx>