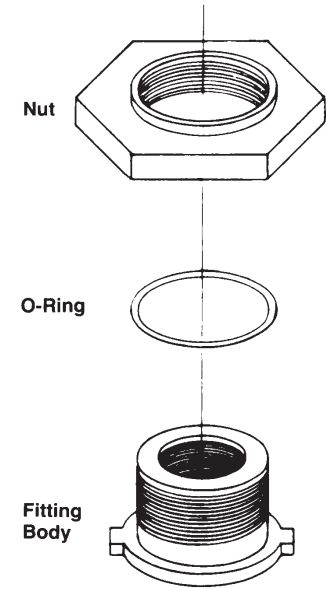


POLYETHYLENE TANK BULKHEAD FITTINGS

Raven's patented bulkhead fittings for polyethylene tanks require a flat surface for installation and feature an O-ring (EPDM or Viton) for the seal. Available in either PVC or glass filled polypropylene, bulkhead fittings provide economical penetrations for polyethylene tanks. All Raven bulkhead fittings are manufactured with left hand threads which prevent accidental loosening while plumbing to the fittings. Consult corrosion guide to select fitting and O-ring material.



DESCRIPTION	INSTALLED FITTING ASSEMBLIES		REPLACEMENT FITTING ASSEMBLIES	
	WITH EPDM O-RING	WITH VITON O-RING	WITH EPDM O-RING	WITH VITON O-RING
1/2"	5029IE	5029IV	5029PE	5029PV
1/2" double thread	5030IE	5030IV	5030PE	5030PV
3/4"	5031IE	5031IV	5031PE	5031PV
3/4" double thread	5032IE	5032IV	5032PE	5032PV
1"	5033IE	5033IV	5033PE	5033PV
1" double thread	5034IE	5034IV	5034PE	5034PV
1 1/4"	5035IE	5035IV	5035PE	5035PV
1 1/4" double thread	5036IE	5036IV	5036PE	5036PV
1 1/4" anti-vortex	5037IE	5037IV	5037PE	5037PV
1 1/2"	5038IE	5038IV	5038PE	5038PV
1 1/2" double thread	5039IE	5039IV	5039PE	5039PV
1 1/2" anti-vortex	5040IE	5040IV	5040PE	5040PV
2"	5041IE	5041IV	5041PE	5041PV
2" double thread	5042IE	5042IV	5042PE	5042PV
2" anti-vortex	5450IE	5450IV	5450PE	5450PV
3"	5451IE	5451IV	5451PE	5451PV
3" double thread	5454IE	5454IV	5454PE	5454PV

- Bulkhead fittings can be factory installed or shipped loose to be installed in the field.
- Double thread fittings are threaded both sides to accommodate internal piping.
- Anti-vortex fittings feature an elevated interior plate designed to reduce vortexing problems.

NOTES:

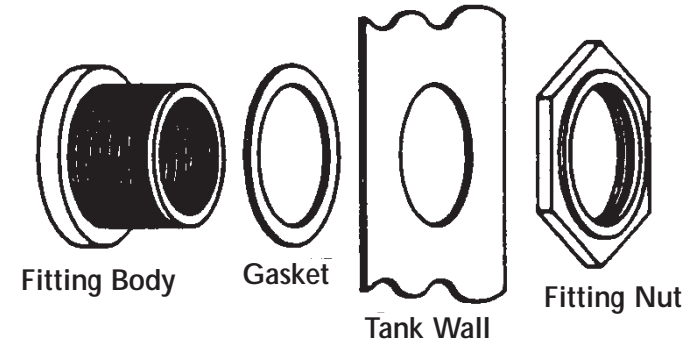
1. As in any gasketed fitting installation, O-Rings should be checked regularly and replaced if leaks are detected.
2. Our Raven bulkhead (compression) fittings are to be utilized on thinner wall tanks, 2100 gallons and below.

See [ACCESSORIES / Bulkhead Fittings / Installation Instructions](#).

HEAVY DUTY BULKHEAD FITTINGS W/GASKET

DESCRIPTION	INSTALLED FITTING ASSEMBLIES		REPLACEMENT FITTING ASSEMBLIES	
	EPDM GASKET	VITON GASKET	EPDM GASKET	VITON GASKET
1/2" Double Thread	7001E	7001V	7001PE	7001PV
3/4" Double Thread	7002E	7002V	7002PE	7002PV
1" Double Thread	7003E	7003V	7003PE	7003PV
1 1/4" Double Thread	7004E	7004V	7004PE	7004PV
1 1/2" Double Thread	7005E	7005V	7005PE	7005PV
2" Double Thread	7006E	7006V	7006PE </td <td>7006PV</td>	7006PV
3" Double Thread	7007E	7007V	7007PE	7007PV
4" Double Thread	7008E	7008V	7008PE	7008PV

- Compression fittings are available in PVC or Polypropylene and must be specified on order.



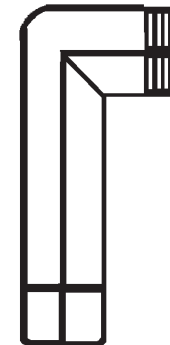
See *ACCESSORIES / Bulkhead Fittings / Installation Instructions*.

SIPHON FITTINGS

DESCRIPTION	PART NUMBER
3/4 inch siphon	5227A
1 inch siphon	5227B
1 1/4 inch siphon	5227C
1 1/2 inch siphon	5227D
2 inch siphon	5227E
3 inch siphon	5227F
4 inch siphon	5227G



PVC or Polypropylene Siphon Assembly



Polypropylene One Piece Siphon Available in 2" & 3" only