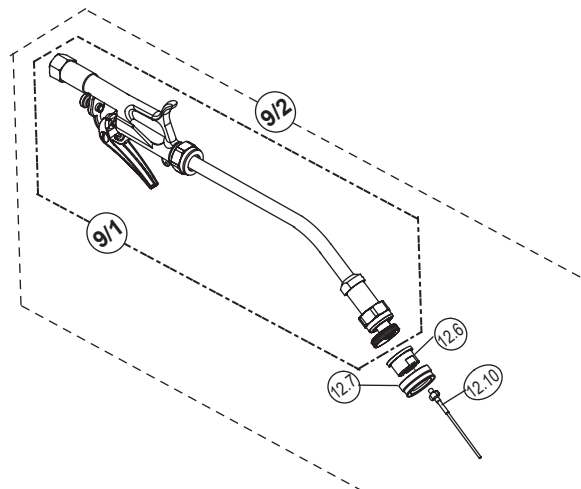
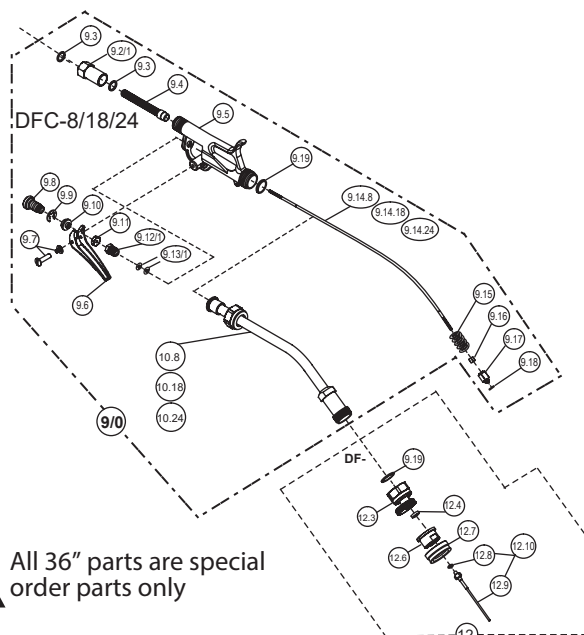



Airopro Sprayer Trigger Diagram



 All 36" parts are special order parts only

Pos.	Part no.	Description
DFC8	501-000-080	DFC valve assembly, 9"
DFC18	501-000-180	DFC valve assembly, 18"
DFC24	501-000-240	DFC valve assembly, 24"
9.1/2	501-009-020	Strainer housing
9.3	500-009-030	Nylon gasket
9.4	500-009-040	Strainer
9.5	500-009-050	Valve body
9.6	500-009-060	Valve trigger
9.7	500-009-070	Trigger screw
9.8	500-009-080	Safety lock nut
9.9	500-009-090	Snap ring
9.10	500-009-100	Adjustment screw
9.11	500-009-110	Lock nut
9.12/1	500-900-121	Packing nut (optional)
9.13/1	500-009-131	O-ring x2
9.14.8	500-009-141	Valve cable, 9"
9.14.18	500-009-143	Valve cable, 18"
9.14.24	500-009-144	Valve cable, 24"

Pos.	Part no.	Description
9.15	500-009-150	Seat stem spring
9.16	500-009-160	Seat stem nut
9.17	500-009-170	Seat stem
9.18	500-009-180	Viton o-ring
9.19	505-009-150	Gasket
10.8	500-010-080	Valve extension, 9"
10.18	500-010-240	Valve extension, 18"
10.24	500-012-000	Valve extension, 24"
12	500-012-000	Multi nozzle assembly
12.3	500-012-030	Multi nozzle c&c tip holder
12.4	500-012-040	VitonR gasket
12.6	500-012-060	Multi nozzle c&c tip
12.7	500-012-070	Tip retainer
12.8	935-018-000	O-ring
12.9	500-012-090	Extension straw
12.10	500-012-100	Extension straw with o-ring
9/2	501-000-082	Trigger valve cpl. 9"
	501-000-182	Trigger valve cpl. 18"
	501-000-242	Trigger valve cpl. 24"
	501-000-362	Trigger valve cpl. 36"
9/1	501-000-081	Trigger valve assembly, 9"
	501-000-181	Trigger valve assembly, 18"
	501-000-241	Trigger valve assembly, 24"
	501-000-361	Trigger valve assembly, 36"

Service kit

501-000-000
Airofog USA Complete Repair Kit

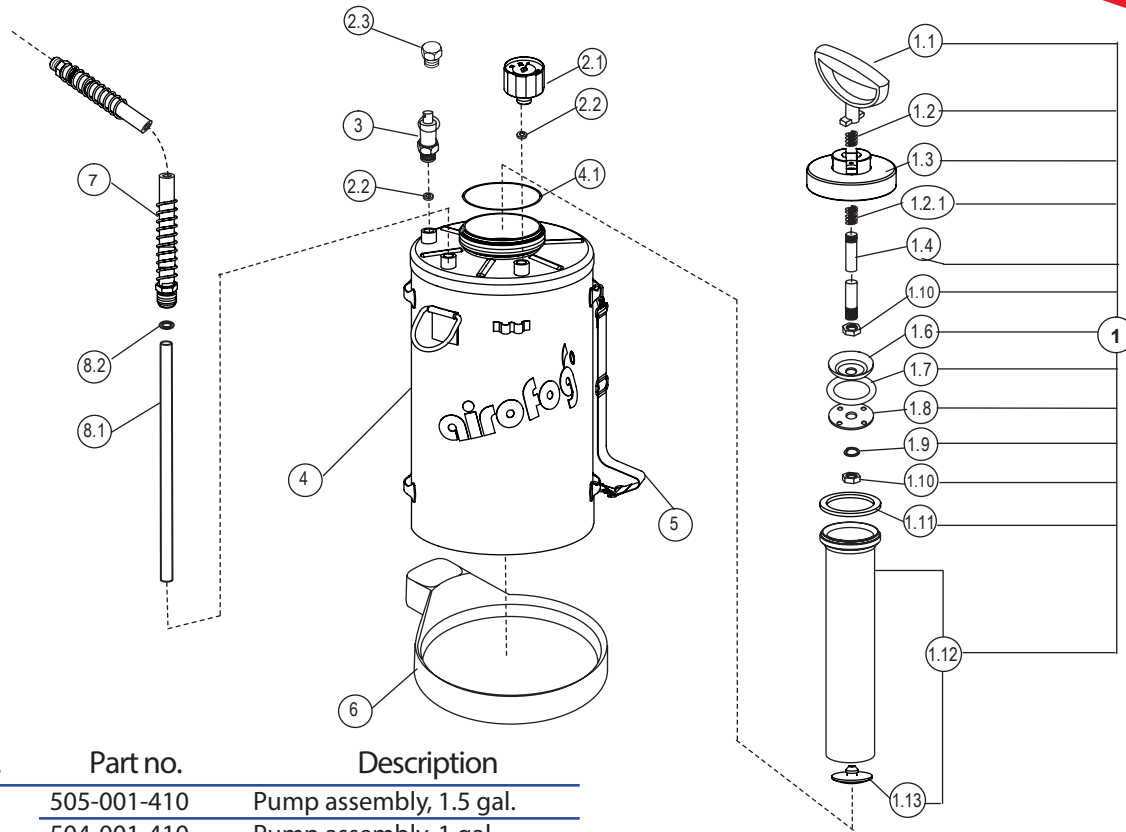


Airofog USA
15074 Aviation Loop Drive
Brooksville, FL 34604
USA

+1-352-593-5152
airofog@airofogusa.com
www.airofogusa.com

501-504-210- 1 Gallon
 501-502-180- 0.5 Gallon
 501-505-180- 1.5 Gallon

Airofog Sprayer Tank Diagram



Pos.	Part no.	Description
1	505-001-410	Pump assembly, 1.5 gal.
	504-001-410	Pump assembly, 1 gal.
	502-001-410	Pump assembly, .5 gal.
1.1	501-001-010	Pump handle
1.2	505-001-020	Pump lock spring
1.2.1	505-001-021	Spring
1.3	501-001-030	Pump cap
1.4	505-001-440	Pump rod, 1.5 gal.
	504-001-440	Pump rod, 1 gal.
	502-001-440	Pump rod, .5 gal.
1.6	505-001-060	Cup spreader plate
1.7	505-001-070	O-ring
1.8	505-001-080	Back plate
1.9	505-001-090	Lock washer
1.10	501-001-100	Plunger nut
1.11	501-001-110	Pump gasket
1.12	505-001-420	Pump cylinder, 1.5 gal.
	504-001-420	Pump cylinder, 1 gal.
	502-001-420	Pump cylinder, .5 gal.

Pos.	Part no.	Description
1.13	502-001-130	Check valve
2.1	501-002-000	Psi gauge (0-60psi)
2.2	505-002-020	Washer
3	501-003-000	Pressure relief Valve
4	505-004-410	Tank, 1.5 gal.
	504-004-410	Tank, 1 gal.
	502-004-410	Tank, .5 gal.
4.1	604-016-010	O-ring
5	505-005-000	Adjustable carry strap
6	505-006-010	Base, blue
7	501-007-620	4ft hose, Blue
	501-007-420	4ft hose, Green
8	505-008-400	Syphon tube, 1.5 gal.
	504-008-400	Syphon tube, 1 gal.
	502-008-400	Syphon tube, .5 gal.



Airofog USA
 15074 Aviation Loop Drive
 Brooksville, FL 34604
 USA

+1-352-593-5152
 airofog@airofogusa.com
 www.airofogusa.com