

100 Gallon ELS

ITEM NUMBER 21-51ELB2-D252

- 100 Gallon Poly Tank
- Stainless Steel Frame with Risers
- D252 Diaphragm Pump
- Manual Start Engine
- 12" Manual Hose Reel
- 200' 3/8" 600 psi Hose
- Easy Access Suction Filter
- Jet Agitation
- Mag-1 Original Spray Gun



ACCESSORIES



22-210000: Sprayer Cover *
20.5"H x 24"L x 19"W



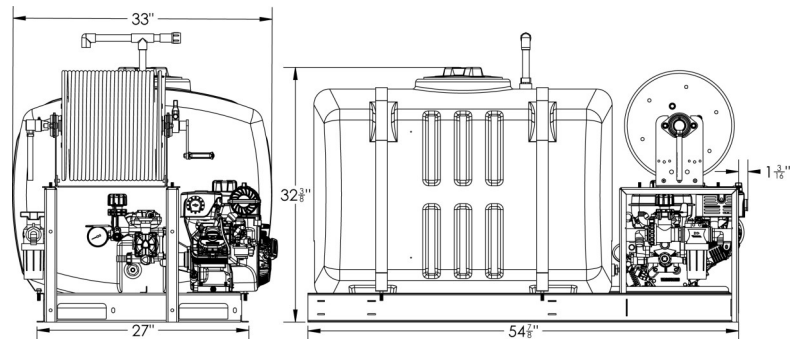
11-855-00
Mag-1 Do-All



Quick Connect Set
FT-QD38TW - 3/8" Hose
FT-QD12TW - 1/2" Hose



32-00003
Combination Lid Lock



Weight

190 lbs Empty 1024 lbs Full
Approx 278 lbs Shipping